

PCC130 (SW)

HIGH-PERFORMANCE BOUNDARY LAYER MICROPHONE



MAKE YOUR STATEMENT

The PCC130 (left) is a boundary layer microphone of professional quality that, due to its small size, fits perfectly on small tables. Thanks to low self-noise and very high sensitivity, the microphone picks up even distant voices clearly and naturally. A bass-tilt switch allows the user to tailor the low-end response and reduce subsonic noise.

The PCC130 SW (right) has a silent-operating programmable membrane switch that can be configured for touch ON/OFF, momentary ON or momentary OFF. A high-intensity LED lights when the unit is on. For easy installation, both microphones offer an XLR connector and a detachable cable.

HIGHLIGHTS

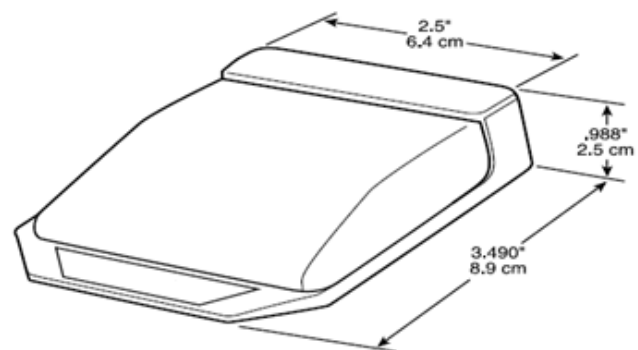
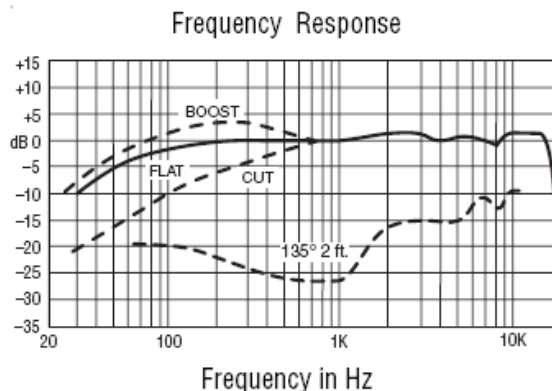
- » **PCC® (Phase Coherent Cardioid®) technology**
for optimum speech intelligibility
- » **Three-position bass-tilt switch**
for optimized suppression of subsonic noise
- » **Silent-operating ON/OFF switch (PCC130 SW only)**
to reduce the number of simultaneously open mics
- » **Detachable cable**
easy to install and service

APPLICATIONS

- » Conference
- » Courtroom
- » Distance-learning applications

KEY SPECIFICATIONS

Transducer	Electret condenser
Polar pattern	PCC130: cardioid PCC130 SW: supercardioid
Audio frequency bandwidth	50 Hz to 20 kHz
Sensitivity	22 mV/Pa
Max. sound pressure level	120 dB
Electrical impedance	150 ohms, balanced
Recommended load impedance	1000 ohms
Equivalent noise level	22 dB (A)
Signal-to-noise level	72 dB (A)
Powering interface	12 - 48 V phantom power
Audio output	3-pin mini XLR (male)
Cable length	4.6 m (15 ft.)
Finish	Satin black
Length	89 mm (3.5 in.)
Width	64 mm (2.5 in.)
Height	25 mm (1 in.)
Net Weight	PCC130: 99 g (3.5 oz.) PCC130 SW: 170 g (6 oz.)
Box content	1x PCC130 or PCC 130 SW 1x Mini XLR to XLR cable
Item numbers	SKU EAN UPC
	PCC130 3334H00010 9002761024913 885038 02491 0
	PCC130 SW 3333H00010 9002761024906 885038 02490 3



HARMAN

AKG ACOUSTICS GMBH LAXENBURGER STRASSE 254, 1230 VIENNA/AUSTRIA
AKG ACOUSTICS, U.S. 8500 BALBOA BOULEVARD, NORTHRIDGE, CA 91329, U.S.A.

© 2015 HARMAN International Industries, Incorporated. All rights reserved. AKG is a trademark of AKG Acoustics GmbH, registered in the United States and/or other countries.

Features, specifications and appearance are subject to change without notice.

For further information on this product download the manual at

www.akg.com