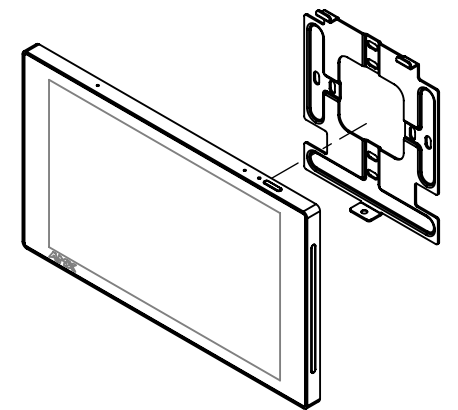
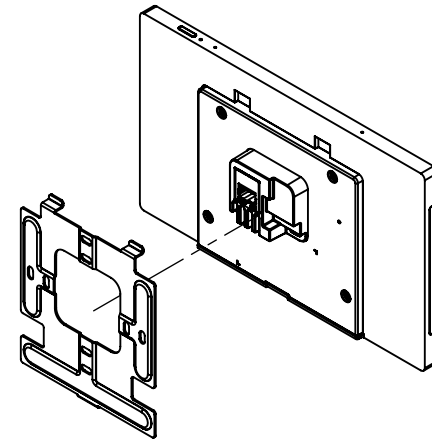
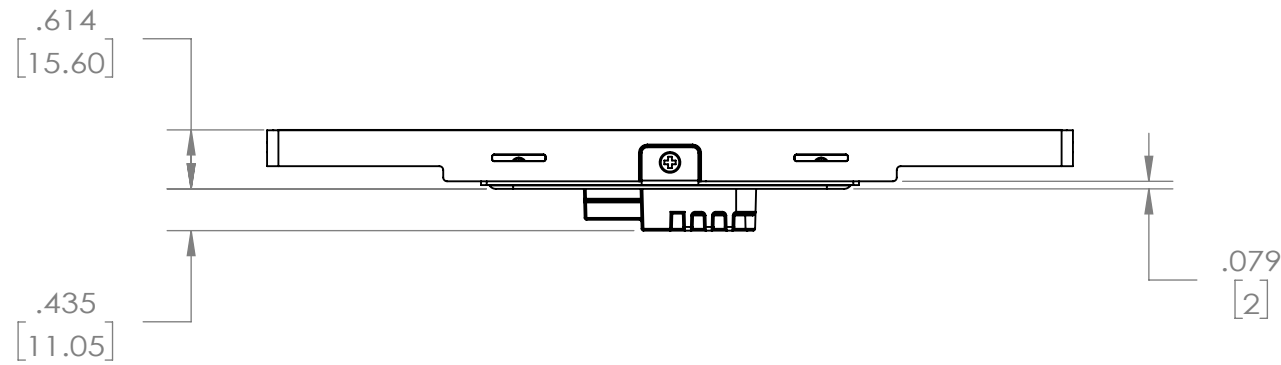
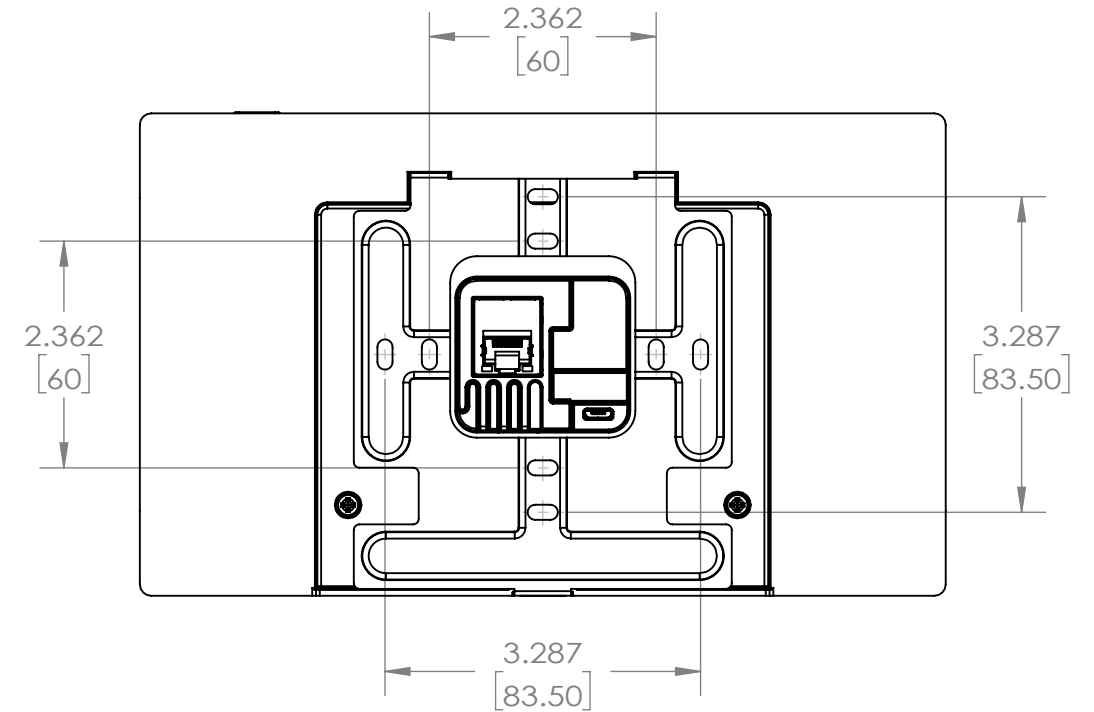
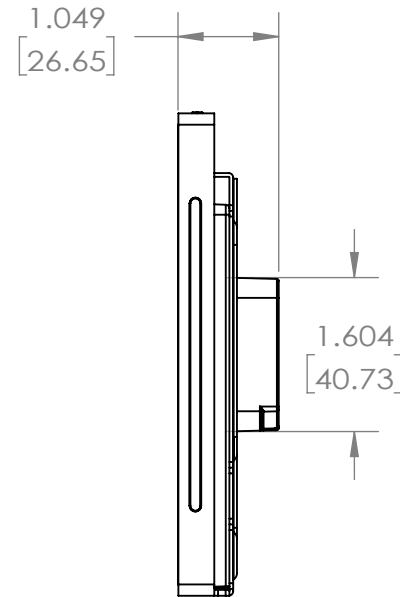
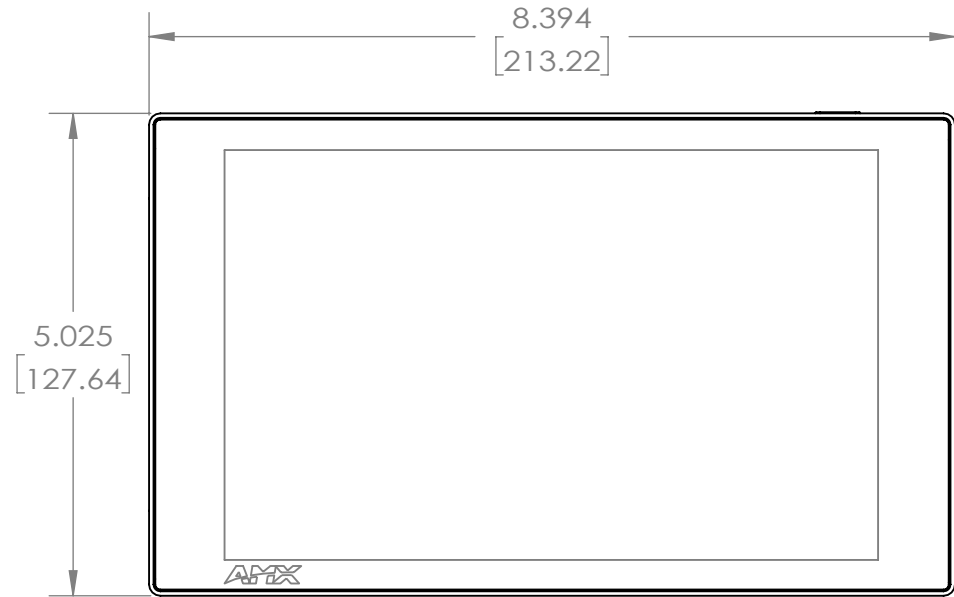
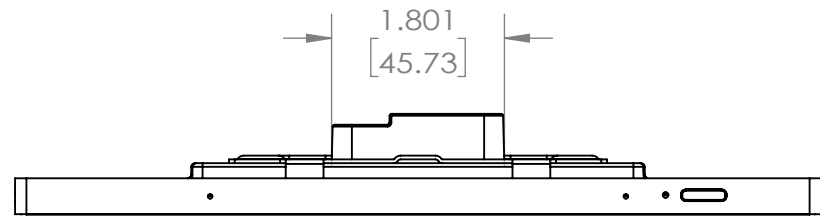


REVISION HISTORY			
DATE	REV.	DESCRIPTION	BY
2022/11/30	C	Update to Harman DWG format	PXiong



NOTES:

- Unit: inch / [mm]
- Detailed dimension refer to DXF/DWG files.

2022 © HARMAN INTERNATIONAL INDUSTRIES, INCORPORATED. ALL RIGHTS RESERVED. DO NOT USE, DISCLOSE, SELL, REPRODUCE, PUBLISH OR MODIFY WITHOUT AUTHORIZED WRITTEN HARMAN PERMISSION.

ROHS
RESTRICTION OF HAZARDOUS SUBSTANCES
ALL MATERIALS USED IN THIS PART MUST BE ROHS COMPLIANT
SUPPLIER SHALL PROVIDE A CERTIFICATE OF ROHS COMPLIANCE WITH THE FIRST ARTICLE.

DIMENSIONS SHOWN ARE FOR REFERENCE AND INSPECTION ONLY. REFER TO CAD MODEL PROVIDED WITH THIS DRAWING FOR OVERALL DEFINITION OF PART GEOMETRY.

THIRD ANGLE PROJECTION		
DRAWN BY	DATE	
DESIGNED BY	DATE	
PROJECT MANAGER/ENGINEER		

HARMAN			
TITLE DWG, PICTORIAL, AMX-UTP0801			
NO. AMX-UTP0801		REV C	
SIZE B	SCALE 1:2	DO NOT SCALE DRAWING	SHEET OF 1 1