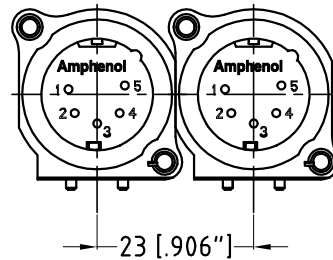
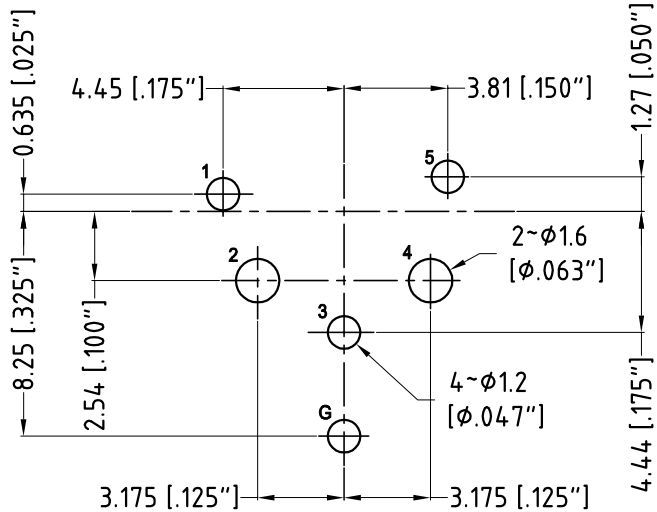
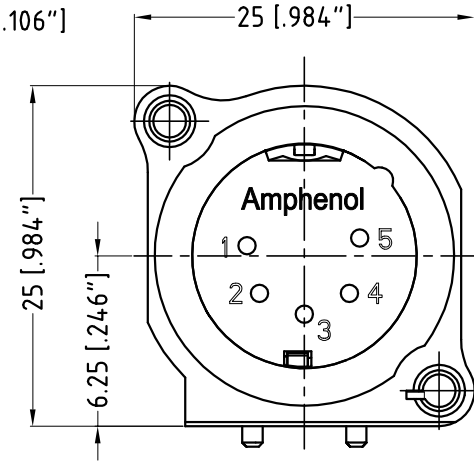
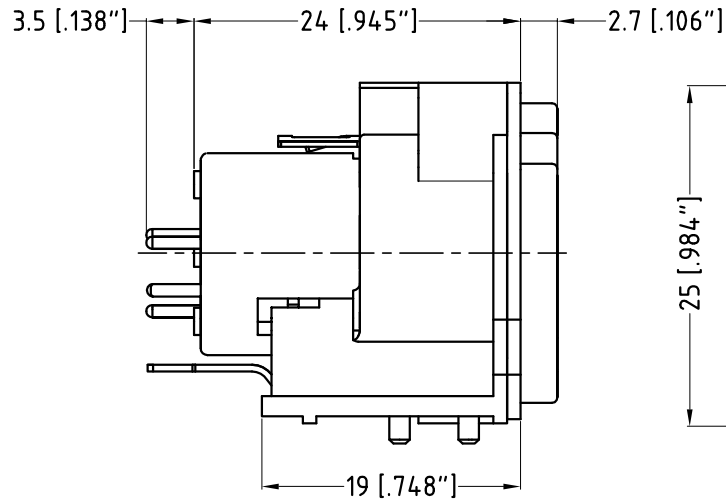
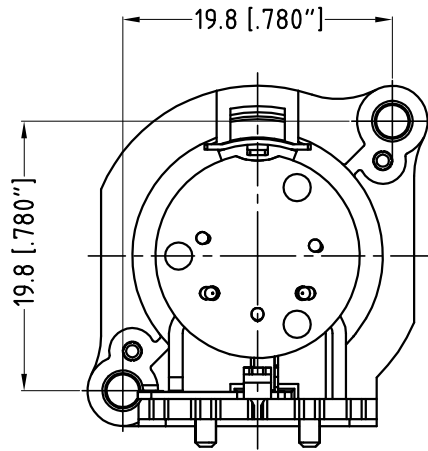


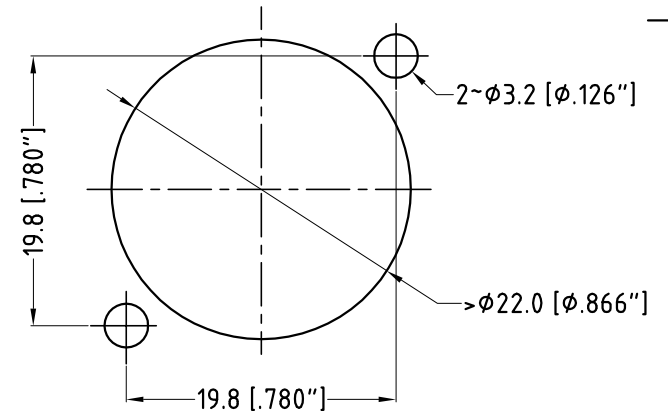
LEGEND = KEY PRODUCT CHARACTERISTICS



REVISION HISTORY				
REV	DESCRIPTION	DATE	BY	CHG/No
0	FIRST ISSUED	21-08-08	M.H	---



(SCALE 1:2)



PANEL CUT OUT
REAR VIEW

PCB-LAYOUT

COMPONENT SIDE
TOLERANCE: ±0.05mm [.002"]

UNLESS OTHERWISE SPECIFIED TOLERANCE TO BE		THIS DOCUMENT IS THE PROPERTY OF AMPHENOL AUSTRALIA PTY. LTD. NO PART THEREOF MAY BE REPRODUCED AND USED WITHOUT THE PRIOR WRITTEN CONSENT OF THE OWNER			
LINEAR	ANGULAR	MATERIAL:	DRN:	DATE:	TITLE:
X ±0.5	X° ±1	REFER TO COMPONENTS	A.O	20-08-08	AC5MAV-AU VERTICAL MALE CUSTOMER DRAWING
XX ±1	XX° ±30'	FINISH: REFER TO COMPONENTS	CKD:	DATE:	PART No:
XXX ±.05	XXX° ±15'	DO NOT SCALE	M.H	21-08-08	AC5MAV-AU
BREAK ALL SHARP EDGES AND REMOVE ALL BURRS		APP'D:	P.M	DATE:	DRAWING NO.
DO NOT SCALE		SCALE:	1:1	DATE:	55010446-000-1
DIMENSIONS IN MILLIMETRES		SIZE:	A4	DATE:	SHEET
		THIRD ANGLE PROJECTION			1/1

Amphenol Amphenol Australia Pty.Ltd,
2 Fiveways Blvd, Keysborough, VIC 3173

TITLE: AC5MAV-AU VERTICAL MALE CUSTOMER DRAWING		PART No: AC5MAV-AU
CAD FILE: 55010446000110	DRAWING NO. 55010446-000-1	SHEET 1/1