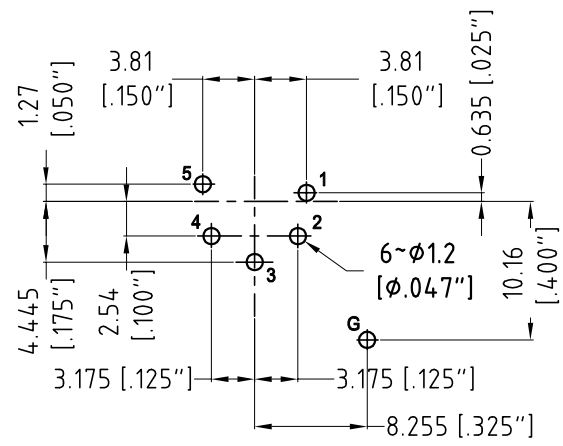
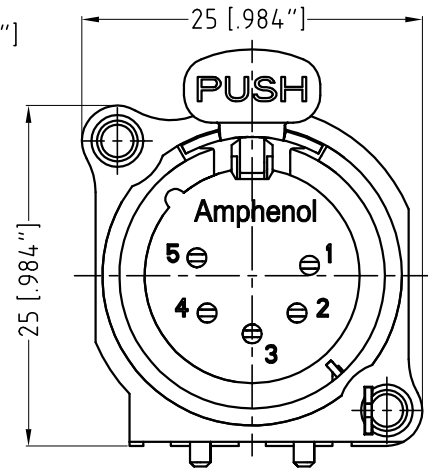
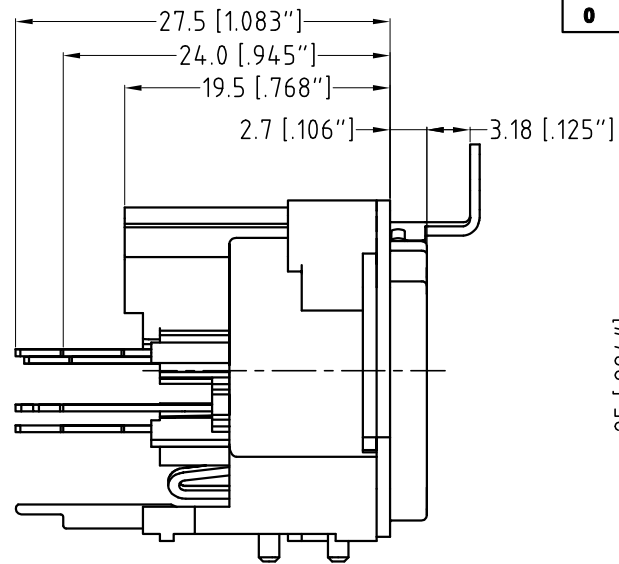
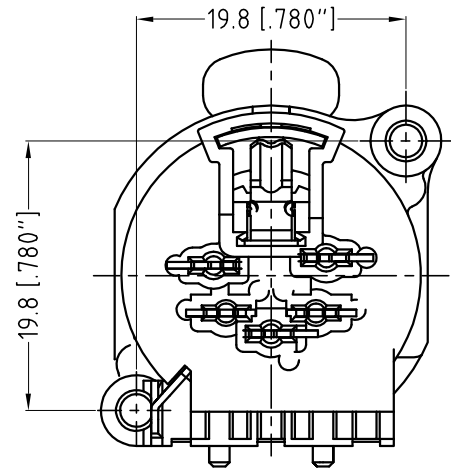
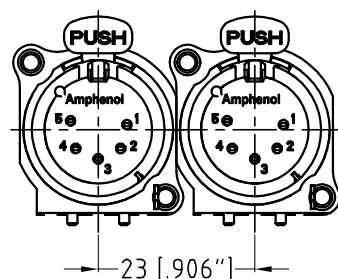


LEGEND  $\diamond$  = KEY PRODUCT CHARACTERISTICS

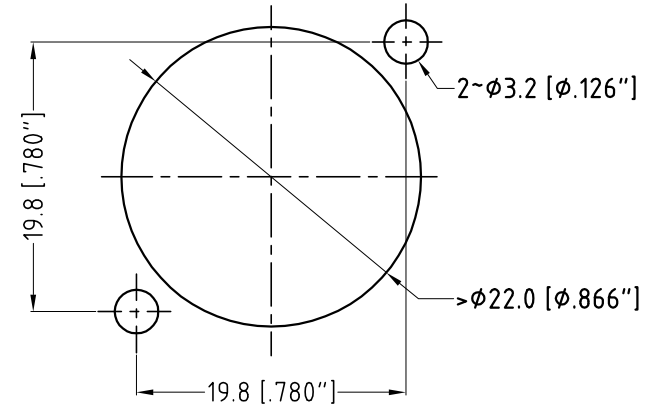
REVISION HISTORY				
REV	DESCRIPTION	DATE	BY	CHG/No
0	FIRST ISSUED	21-08-08	M.H	---



**PCB-LAYOUT**  
COMPONENT SIDE  
TOLERANCE ±0.05mm[.002"]



(SCALE 1:2)



**PANEL CUT OUT**  
REAR VIEW

UNLESS OTHERWISE SPECIFIED TOLERANCE TO BE		THIS DOCUMENT IS THE PROPERTY OF AMPHENOL AUSTRALIA PTY. LTD. NO PART THEREOF MAY BE REPRODUCED AND USED WITHOUT THE PRIOR WRITTEN CONSENT OF THE OWNER			
LINEAR	ANGULAR	MATERIAL: REFER TO COMPONENTS	DRN: A.O	DATE: 21-08-08	TITLE: AC5FAV-AU VERTICAL FEMALE CUSTOMER DRAWING
X ±0.5 XX ±1 XXX ±0.5	X' ±1 X'X' ±30' X'X'X' ±15'		CKD: M.H	DATE: 21-08-08	
BREAK ALL SHARP EDGES AND REMOVE ALL BURRS		FINISH: REFER TO COMPONENTS	APP'D: P.M	DATE: 21-08-08	PART No: AC5FAV-AU
DO NOT SCALE			SCALE: 1:1	SIZE: A4	
DIMENSIONS IN MILLIMETRES		THIRD ANGLE PROJECTION		CAD FILE: 55010447000110	DRAWING NO. 55010447-000-1 SHEET 1/1

<b>Amphenol</b> Amphenol Australia Pty.Ltd, 2 Fiveways Blvd, Keysborough, VIC 3173	
PART No: AC5FAV-AU	
DRAWING NO. 55010447-000-1 SHEET 1/1	