

USB 2.0 Ranger® 2304PoE

4-Port USB 2.0 Power over Ethernet LAN Extender System



The Ranger 2304PoE enables you to connect and extend all USB 2.0 device types to hosts across a PoE+ enabled Gigabit Ethernet Local Area Network using existing cabling. This system extends peripherals such as flash drives, keyboards, mice and interactive whiteboards across a LAN and supports isochronous devices such as webcams. Three USB A ports are available on the local extender, eliminating the need to connect an external USB hub to the host.

Features

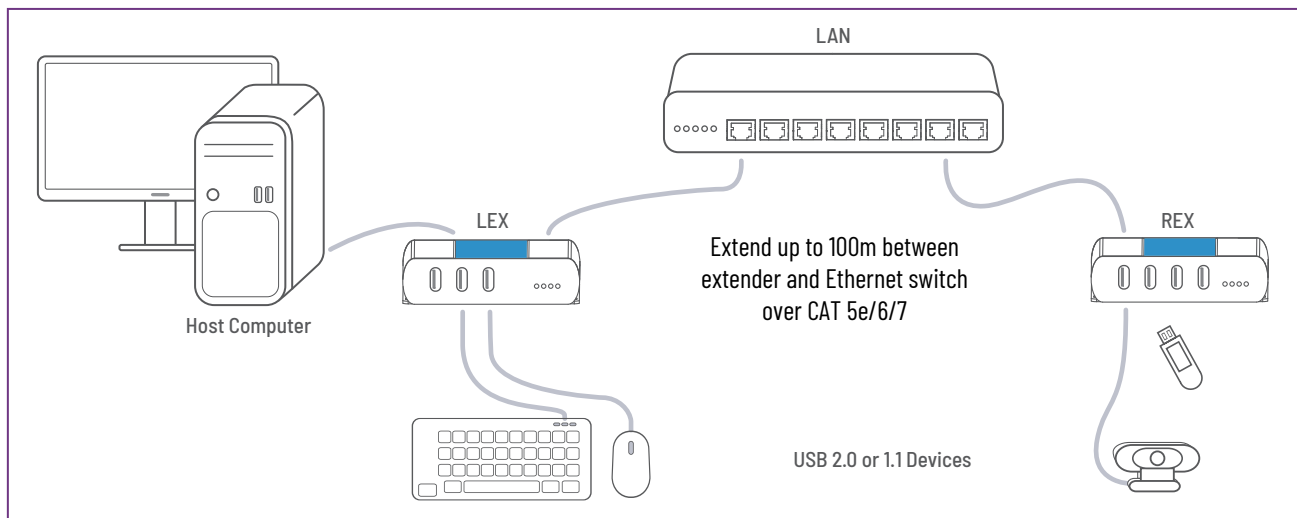
- ▶ Extends USB over an IEEE 802.3at PoE+ capable 1000Mbps LAN
- ▶ USB 2.0 throughput up to 480Mbps point-to-point or over LAN*
- ▶ Pre-paired network configuration** for simple installation
- ▶ Supplies up to 1.5A at each port, 3.5A total

Includes the ExtremeUSB® suite of features:

- ▶ Transparent USB extension
- ▶ True plug and play; no software drivers required
- ▶ Works with all major operating systems; Windows®, macOS™, Linux® and ChromeOS™

Applications

- ▶ Remote storage
- ▶ Industrial control
- ▶ Security and monitoring
- ▶ Keyboards and mice



* Maximum throughput will vary based on network traffic, distance and number of switches between extenders.
** Pre-paired network configuration only applies to units purchased together as a complete LEX and REX extender system.

Icron | An Analog Devices Brand
4664 Lougheed Hwy., Suite 221
Burnaby, BC V5C 5T5
Canada

Visit icron.com

For more information about configuring and operating this product, refer to the complete online user guide at icron.com/2304PoE.

For technical support, visit icron.com/support.

For sales/general inquiries, visit icron.com/contact.

**EXTREME
USB®**

Specifications subject to change without notification.
Copyright © 2023 Analog Devices, Inc.
#90-01919-A02

USB 2.0 Ranger® 2304PoE Specifications

	SPECIFICATIONS	LEX (LOCAL EXTENDER)	REX (REMOTE EXTENDER)
EXTENDER UNITS	USB Connectors	3 x USB Type A Receptacles, 1 x USB Type B Receptacle	4 x USB Type A Receptacles
	Link Connector	1 x RJ45	
	Dimensions	100mm (W) x 86mm (D) x 26mm (H) / 3.94" (W) x 3.39" (D) x 1.02" (H)	
	Enclosure Material	Silver Anodized Aluminum	
	Available Current	Supplies up to 1.5A at each port, 3.5A total	
	Power Supply	100-240V AC Input, 24V 1A DC Output (Optional, sold separately)	
RANGE	Direct Connect	Up to 100m (330 ft) over solid core CAT 5e/6/7	
	Network Connect	Up to 100m (330 ft) between switches over solid core CAT 5e/6/7	
USB DEVICE SUPPORT	Network and Direct Connect	Up to 480Mbps*	
	Traffic Types	All USB 2.0 Traffic Types	
	Device Types	All USB 2.0 Device Types	
	Maximum Devices	Supports up to 30	
NETWORKING	Standards	1000BASE-T*, IEEE 802.3at PoE+ (25.5W)	
	Data Traffic	Layer 2	
ENVIRONMENTAL	Operating Temperature	0°C to 50°C (32°F to 122°F)	
	Storage Temperature	-20°C to 70°C (-4°F to 158°F)	
	Operating Humidity	20% to 80% relative humidity, non-condensing	
	Storage Humidity	10% to 90% relative humidity, non-condensing	
COMPLIANCE	Certifications	FCC (Class A), CE (Class A), RoHS2/3 (CE), ICES-003 Issue 7, EN 62368-1	
SUPPORT	Warranty	2-year	

* Maximum speed is heavily dependant on network configuration, bandwidth and performance. 1000Base-T is highly recommended for best performance.

Ordering Information



The Ranger 2304PoE system includes a LEX, REX, USB Cable, Quick Start Guide and two-year warranty. The external power supply is optional and sold separately. For more information, contact us online at icron.com/contact, by email at icronSales@analog.com, or call +1 604 638 3920.

PART #	NAME	DESCRIPTION
00-00465	USB 2.0 Ranger 2304PoE	3-Port LEX and 4-Port REX USB 2.0 Extender System, Power over Ethernet, USB A/B cable
10-00535	USB Mounting Kit - Silver	Kit includes: 2 brackets, 4 locking washers, 4 (M2.5 x 8mm) Phillips pan head screws. Order: 1 kit per LEX or REX; 2 kits per system.
21-00110	24V 1A AC Power Adapter (Level VI)	24V 1A DC Output, 100-240VAC Input Power Supply with 2.1mm (ID) Plug and IEC320-C7/C8 2-pin connector
21-00115	NA Ungrounded Power Cord	IEC320-C7/C8 2-pin Power Cord for North America
21-00116	EU Ungrounded Power Cord	IEC320-C7/C8 2-pin Power Cord for European Union
21-00117	UK Ungrounded Power Cord	IEC320-C7/C8 2-pin Power Cord for United Kingdom
21-00118	AU Ungrounded Power Cord	IEC320-C7/C8 2-pin Power Cord for Australia/New Zealand
21-00109	JP Ungrounded Power Cord	IEC320-C7/C8 2-pin Power Cord for Japan