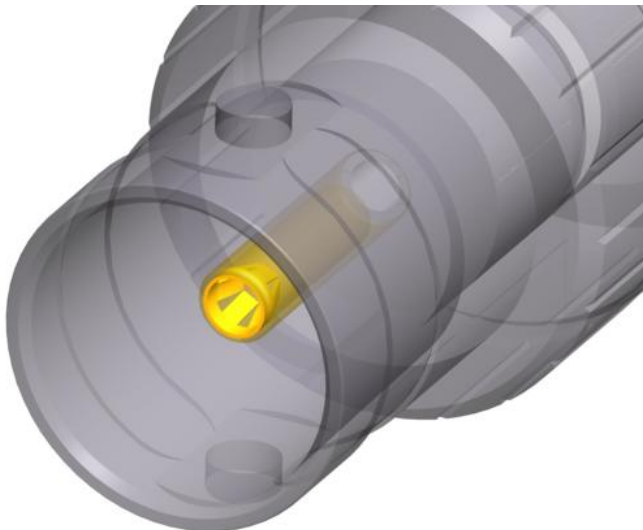




## NBB75DFG

Grounded BNC chassis connector, feedthrough in nickel D-shape housing

Neutrik's BNC chassis connectors offer a true 75  $\Omega$  design for serial and digital (HD) signals. The machined brass connector body provides an extremely rugged and non-abrasive connection over long term use and is in addition recessed and therefore well protected in a D-shape housing (audio industry standard).

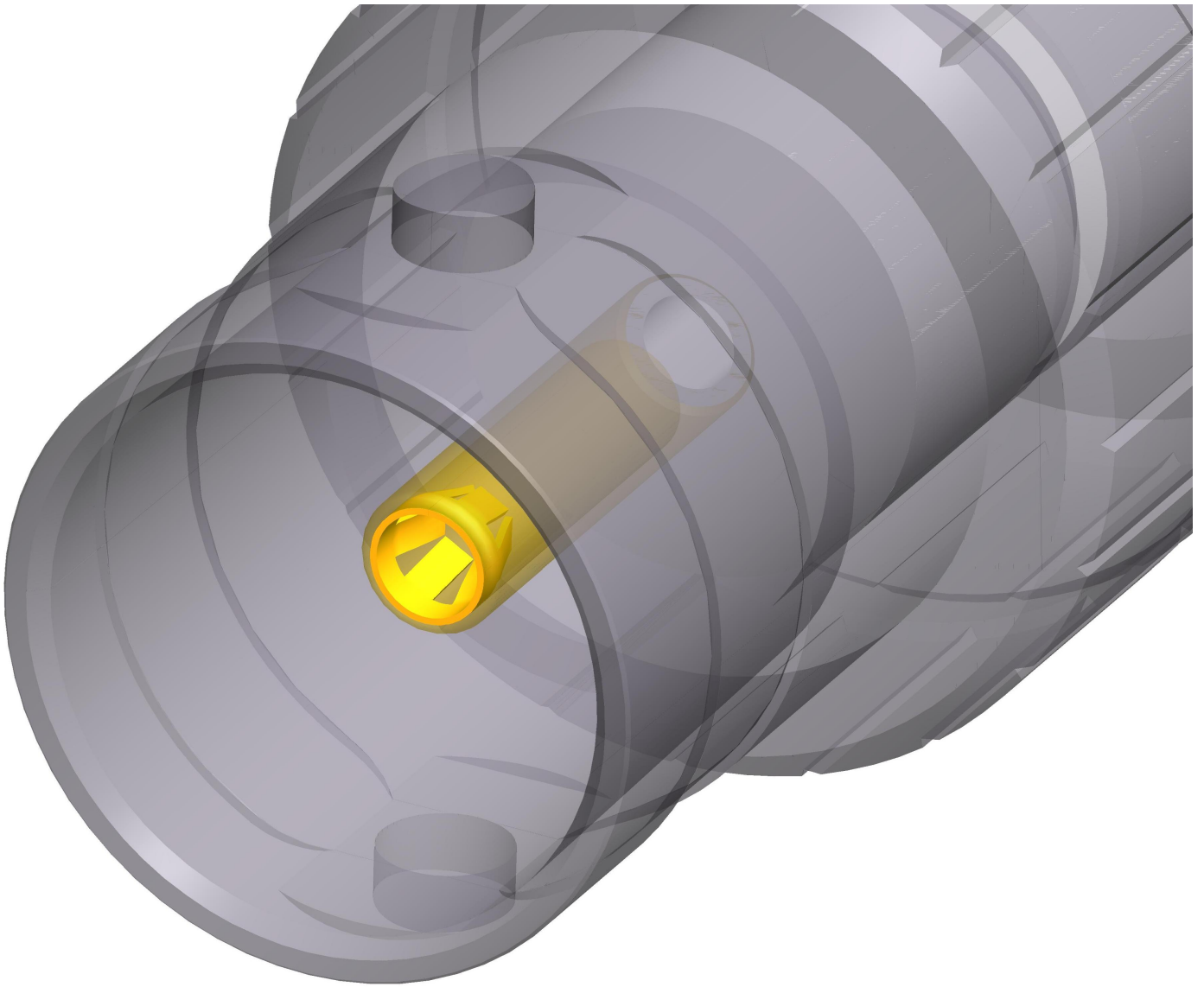


### Features & Benefits

- Gold plated cage type center contact
- Grounded panel mount
- Color coding possible
- True 75  $\Omega$  design meets the stringent HD requirements
- Standard D-shape housing - provides flush mounting and protection from damage

### New cage type contact

- Closed contact design - extremely robust
- Gold plated cage type clip - best possible shielding and lowest contact resistance



**Technical Information**

Product	
<b>Title</b>	NBB75DFG
<b>Connection Type</b>	BNC 75 Ω
<b>Gender</b>	female

Electrical	
<b>Signal Type</b>	HD, SDI, Video, AES/EBU, Composit, YUV, RGB, RGBH, RGBHV
<b>Contact resistance</b>	≤ 3 mΩ (inner)
<b>Contact resistance</b>	≤ 2 mΩ (outer)
<b>Dielectric strength</b>	1,5 kVdc
<b>Impedance</b>	75 Ω
<b>Insulation resistance</b>	> 5 GΩ
<b>Rated voltage</b>	<50 V
<b>VSWR</b>	≤1.03/>37 dB up to 1 GHz ≤1.05/>32 dB up to 2 GHz ≤1.08/>28 dB up to 3 Ghz

Mechanical	
<b>Insertion force</b>	< 25 N
<b>Lifetime</b>	> 1000 mating cycles
<b>Wiresize</b>	
<b>Locking device</b>	Bayonett
<b>Mounting direction</b>	Front mounting
<b>Chassis shape</b>	D

Material	
<b>Contacts</b>	Brass (CuZn39Pb3), 0.2 µm AuCo (Center contact)
<b>Insert</b>	PTFE
<b>Shell</b>	Polyacetal (POM) (Insulation Shell)
<b>Shell plating</b>	Optalloy®
<b>D-Shape housing</b>	Zinc diecast (ZnAl4Cu1) gal Ni plating

Environmental	
<b>Temperature range</b>	-30 °C to +85 °C