

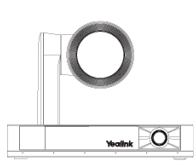
UVC86 Installation

Package Contents

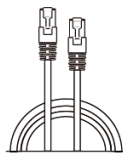
TIP

For the UVC86 unboxing video, and please refer to [UVC86](#).

We recommend that you use the accessories provided or approved by Yealink. The use of unapproved third-party accessories may result in poor performance.

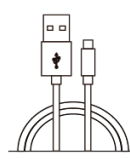


UVC86



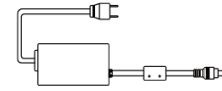
(7.5m, 24.60ft)

CAT5e UTP (RJ45 - RJ45) Cable



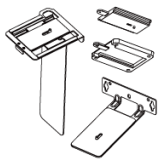
(7m, 8.20ft)

USB 2.0 (A - B) Cable



(3.5m, 11.48ft)

Power Adapter (48V/0.7A)



Mounting Bracket



x 4

Φ6 * 30 mm, white, Polyamide



x 4

4*30 FAHOZN3+ (+)



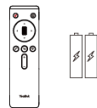
x 5

1/4" -20 UNC



x 2

M3*5.8KM0ZN3+



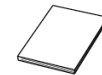
VCR20 Remote Control



x 5

(20 * 200 mm)

Cable Ties



Quick Start Guide

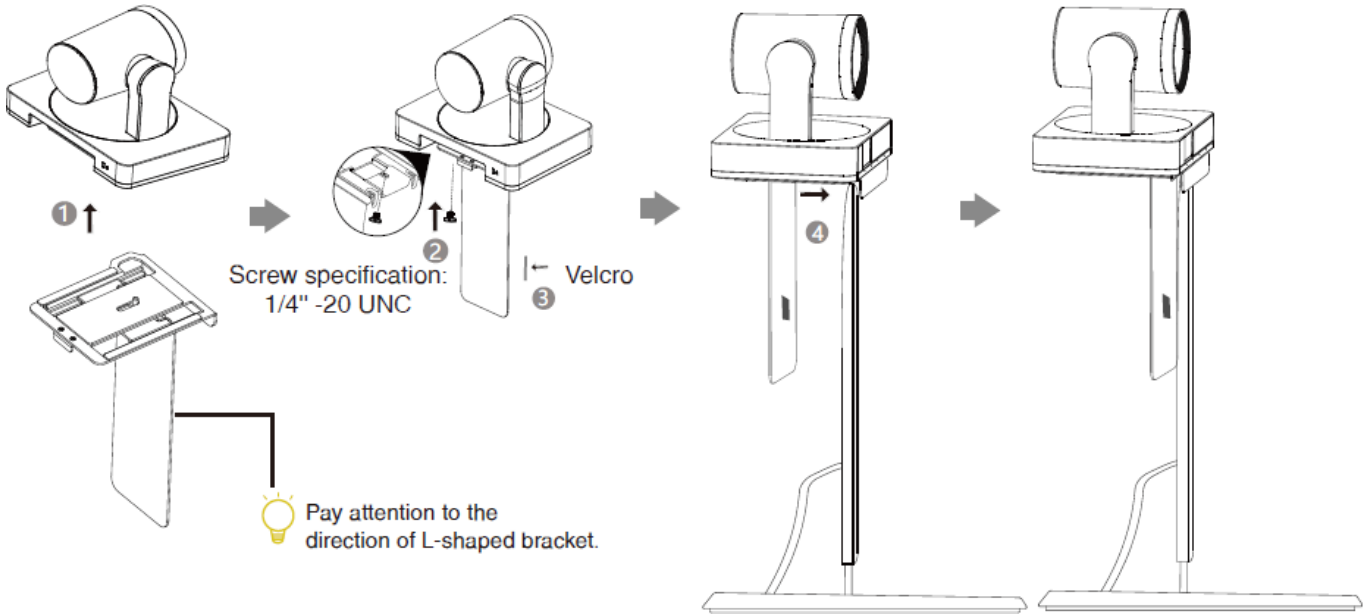
Install UVC86

- **Put on a Flat Surface**

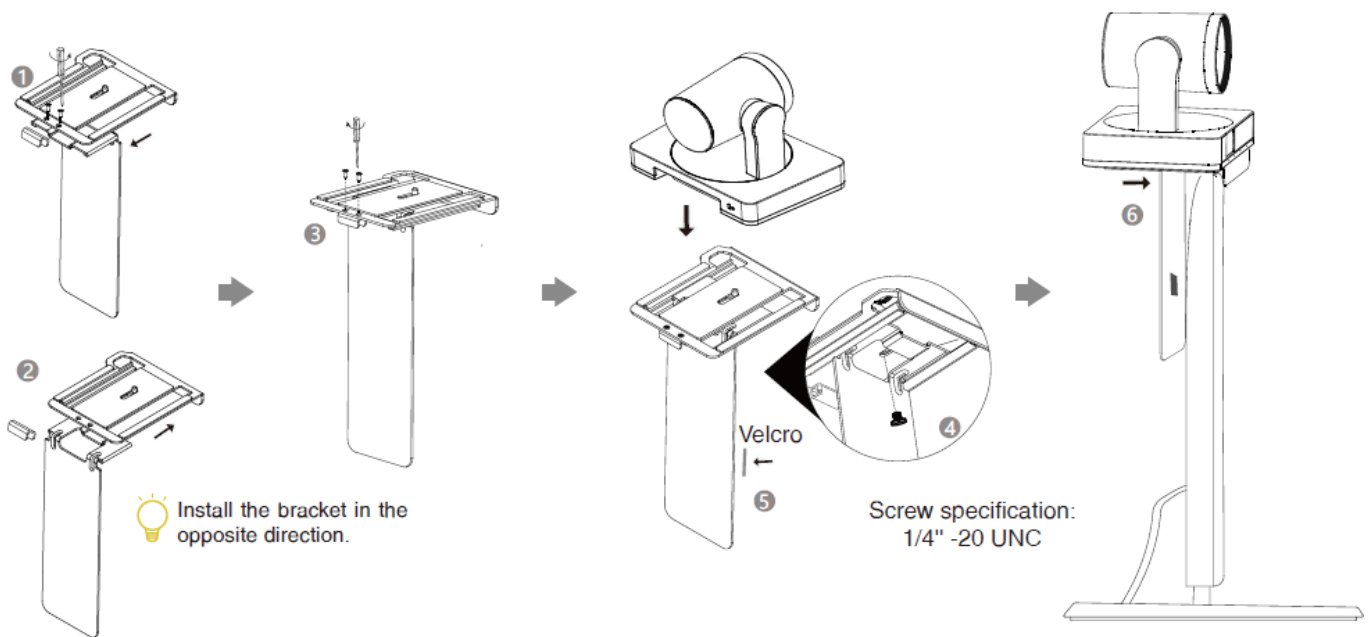
You can put the UVC86 on the conference table, and make sure that the angle of inclination of the UVC86 is not more than 5 degrees to ensure proper operation.

• **Mount on top of a display**

Choose the following installation method when the thickness of the TV is between 0 mm and 70 mm.

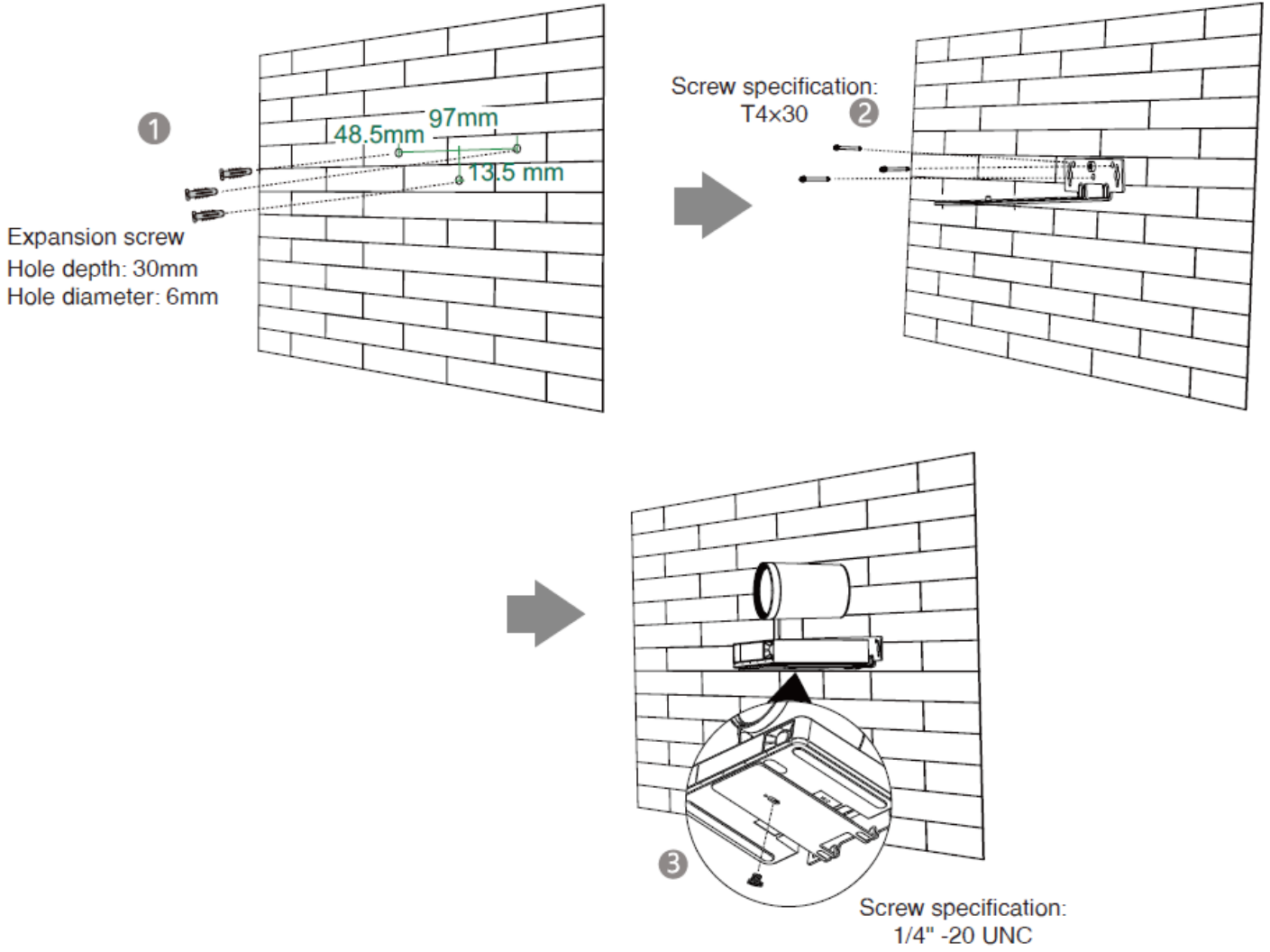


Choose the following installation method when the thickness of the TV is between 46 mm and 146 mm.

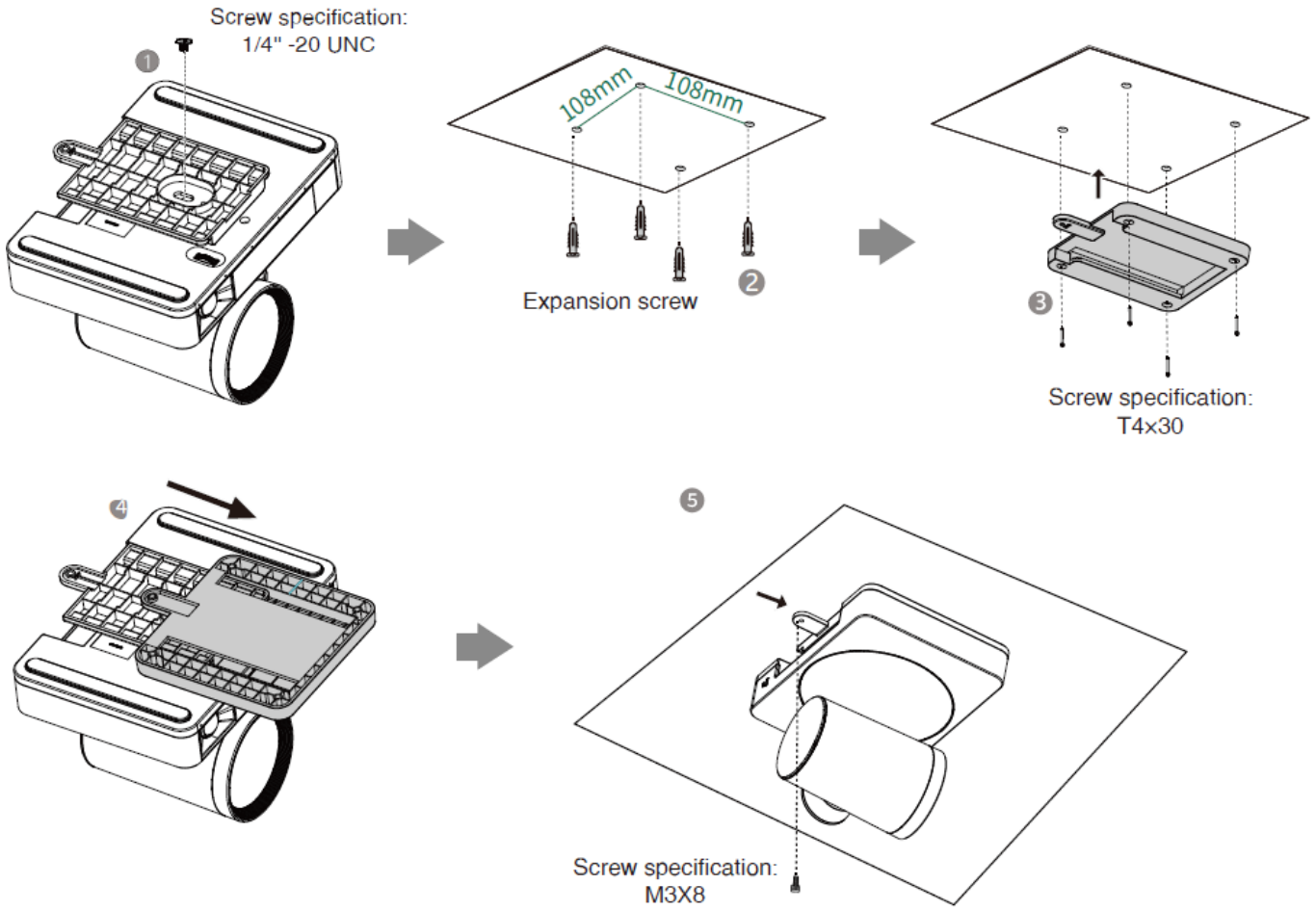


• **Mount on the Wall**

The recommended height is 1.55 m-1.85 m above the ground.



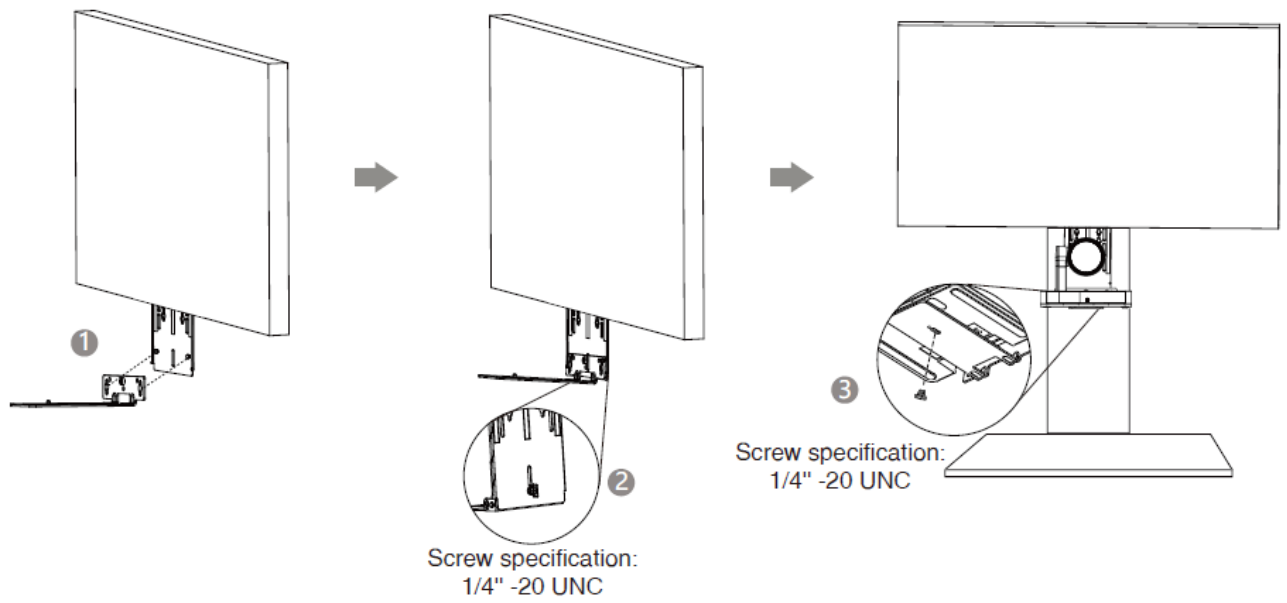
• Mount on the Ceiling



💡 Please tighten the screws with a screwdriver to prevent the camera from falling off.

- **Mount onto a TV Mount**

You need to purchase a TV Mount separately.

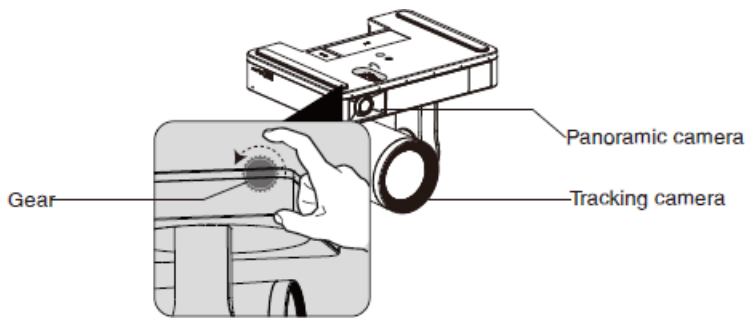


Lens Calibration

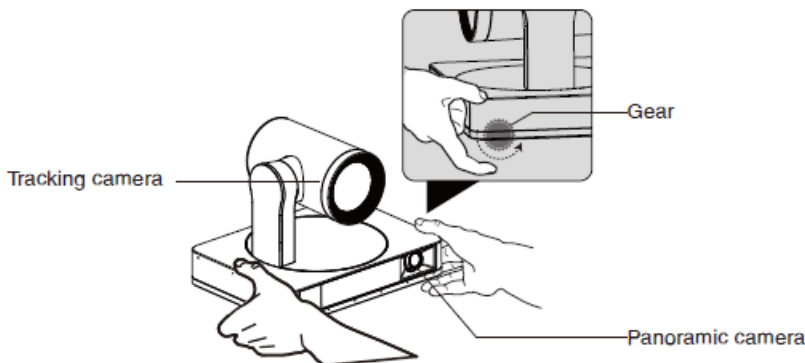
- **Manually adjust the panoramic camera**

UVC86 is equipped with dual cameras (panoramic camera and tracking camera). The panoramic camera is a mechanical device without a gimbal. In order to better adapt to the user's installation environment, it is allowed to manually adjust the pitch angle of $\pm 10^\circ$. According to the following actual usage scenarios, manually adjust the lens gear at the bottom of the UVC86.

When you mount the UVC86 on the ceiling, you need to adjust the lens to the downward direction, as shown in the figure.



When you put the UVC86 on the desk, you need to adjust the lens to the upward direction, as shown in the figure.



- **Lens Calibration Using Yealink Room Connect Software**

Since the coordinates of the panorama lens image analysis need to be used as the adjustment basis for the gimbal lens image during smart tracking, the image coordinate systems of the two lenses need to match each other. After manually adjusting the lens to a suitable angle, please use the Yealink Room Connect software to calibrate the lens.

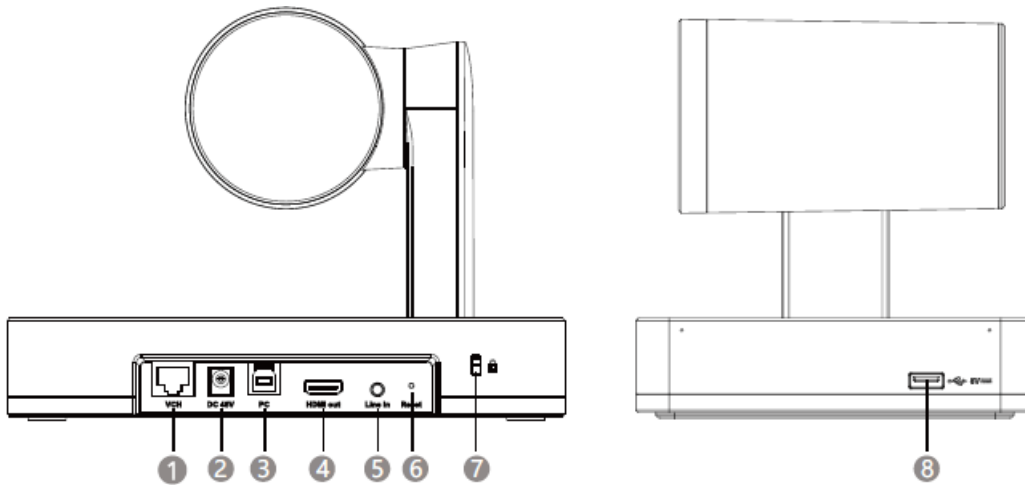
1. Open the Yealink Room Connect software, click **Device Settings > Lens Calibration**.
2. Click **OK** (the camera cannot be adjusted during the lens calibration).

NOTE

During the lens calibration process, please ensure that there is no obstruction in front of the lens, and the lens cannot be adjusted manually. If one calibration fails, try calibrating again.

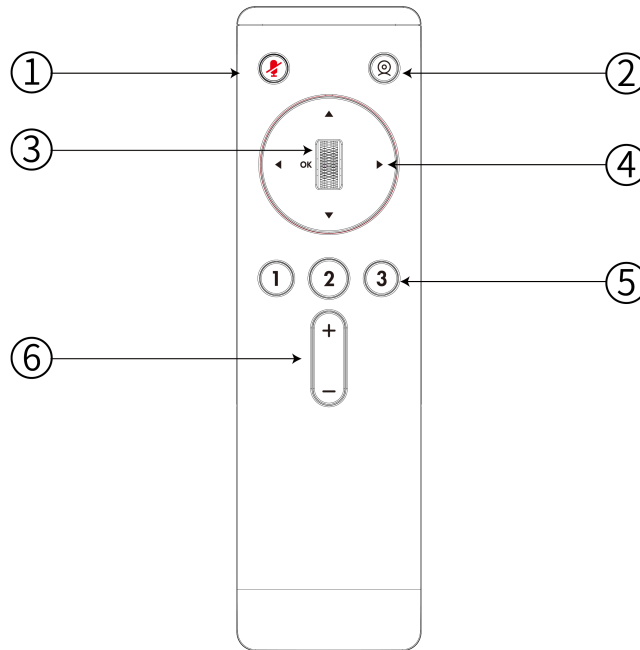
Hardware Interface

UVC86



No.	Item	Description
1	VCH	In MVC system, connect to audio device (for example: VCM34).
2	DC48V	Connect to a power adapter.
3	PC Port	Connect to a PC as video output.
4	HDMI out	Reserved port for future features.
5	Line in	The UVC86 can be connected to a third-party audio playback device via a 3.5mm audio cable, and the audio output from third-party audio device is used as an audio reference signal for the UVC86 voice tracking.
6	Reset	Reset the UVC86 to factory defaults.
7	Security slot	Connect a universal security cable to the UVC84 so that you can lock the UVC84 down.
8	USB-A Port	Connect to DD10 or USB disk.

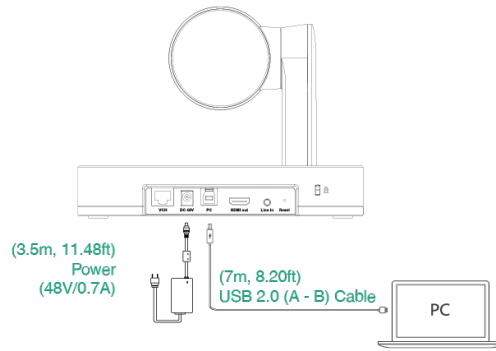
VCR20 Remote Control



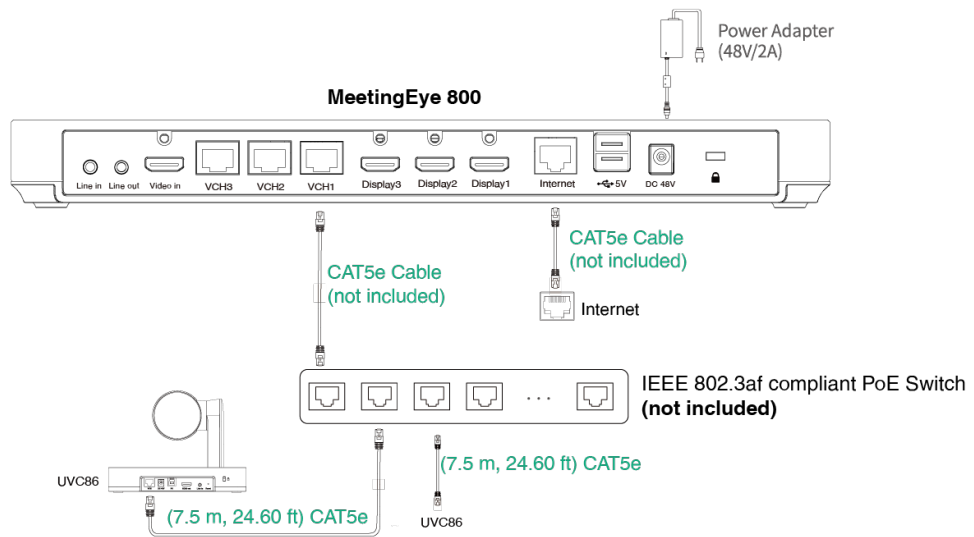
No.	Port Name	Description
1	Mute Key	Mute or unmute the microphone.
2	Tracking Feature Key	<ul style="list-style-type: none"> - For UVC40: Press and hold the Tracking Feature key to select tracking mode (Auto Framing, Speaker Tracking and Off) - For UVC84/UVC80/UVC50: Press and hold the Tracking Feature key to select tracking mode (Auto Framing and Off) - For UVC86: Press and hold the Tracking Feature key to select tracking mode (Auto Framing, Speaker Tracking, Presentation Tracking and Off)
3	OK Key	<ul style="list-style-type: none"> · Swipe up to zoom in the camera image · Swipe down to zoom out the camera image · Press OK to confirm.
4	Navigation Key	Pan and tilt the camera to adjust the viewing angle.
5	1/ 1/ 3 key	<ul style="list-style-type: none"> · Press and hold the number key to add/update the preset position · Press the number key to apply for the preset position
6	Volume Key	Turn up/down the volume.

Connect UVC86

• Connect to PC



• Connect to the video conference system



NOTE

- Supports connecting up to 2 cameras via PoE switch.
- Not included accessories requirements:
 - » Ethernet cable: CAT5e or higher ethernet cable.
 - » PoE switch: If you use PoE to connect cameras, you need to use PoE+.

LED Indicator

LED Status	Description
Off	The UVC86 is powered off.
Solid green	The UVC86 is active.
Solid red	The UVC86 is in sleep mode.
Flash red	The UVC86 is in recovery mode.

Flash orange	The UVC86 is upgrading firmware.
--------------	----------------------------------